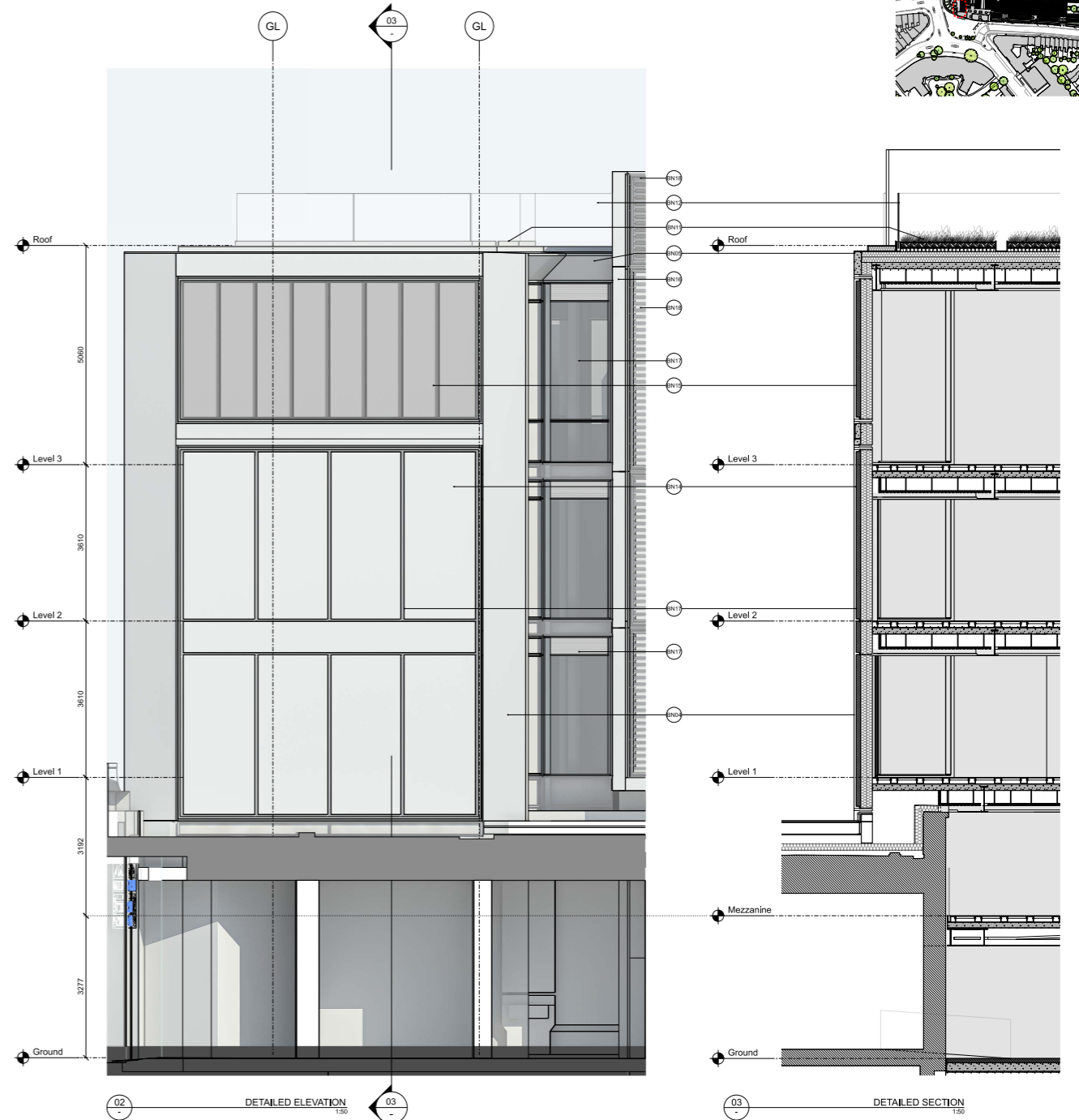
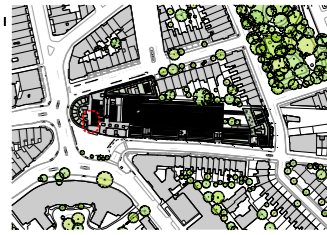
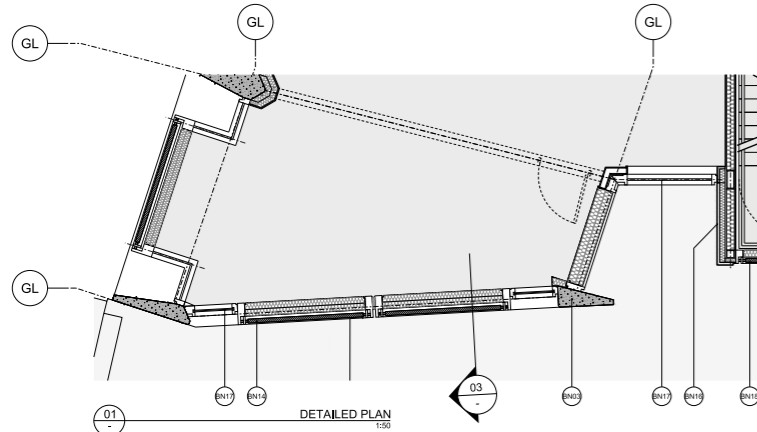


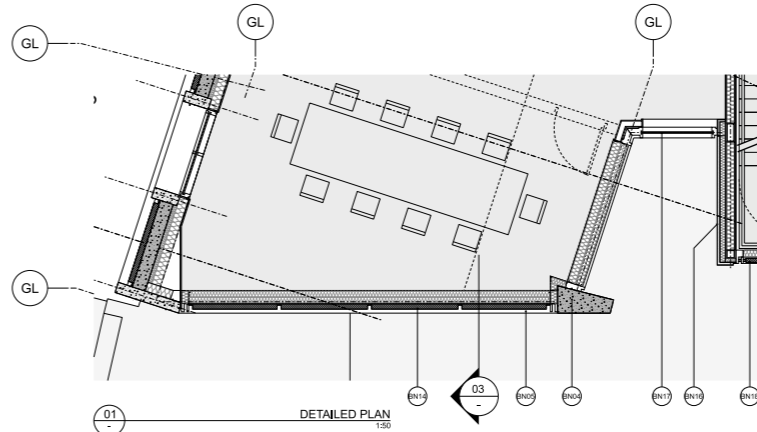
**MATERIALS DESCRIPTION - THE BULLNOSE**

- BN01 Ground floor retail glazing. Full-height double glazing with mid silver grey coloured frames, solid sections at the head and double-leaf doors where indicated.
- BN02 Entrance signage. Painted fabricated steel walls with integrated retail and office entrance signage to reference the language of the existing station heritage signs. Black painted steel with gold coloured integrated lettering and stone in-fill at the top to continue the line of the Arcade Station entrance roofline.
- BN03 Expressed structural columns. Reconstituted stone/precast concrete.
- BN04 Expressed structural beams. Reconstituted stone/precast concrete.
- BN05 Bay front cladding. Reconstituted stone slats within mid silver grey coloured frames set in front of insulated solid panels.
- BN06 Bay side return glazing. Full-height double glazing with mid silver grey coloured frames.
- BN07 Bay side return low level panels. Reconstituted stone panels within mid silver grey coloured frames and insulation behind at floor level.
- BN08 Top floor glazing. Full-height double glazing with mid silver grey coloured frames.
- BN09 Top floor stone walls. Reconstituted stone slats within mid silver grey coloured frames with solid behind.
- BN10 Top floor parapet wall. Aluminium solar shading louvers set within mid silver grey coloured frames. Dark grey finish.
- BN11 Green roof. Green roof system with metal edging and blue roof rainwater attenuation drainage system below. Roof build-up and growing medium to comply with CRO Design guidance recommendations and Building Regulations Approved Document for fire safety.
- BN12 Roof balustrade. Edge protection set back from roof edge.
- BN13 Rooftop plant enclosure and lift covers. Dark grey louvers to street-facing elevation and insulated precast concrete cladding to side flank walls.
- BN14 Gable-end solid cladding. Solid insulated metal panel faced with reconstituted stone slats within mid silver grey coloured frames.
- BN15 Insulated mid silver grey coloured aluminium spanned panel.
- BN16 Core solid walls. Insulated solid flank walls to lift and stair shafts with reconstituted stone cladding.
- BN17 Gable-end glazing. Full-height double glazing with mid silver grey coloured frames and integrated air brash/thermal louvers as required.
- BN18 Core end wall cladding. Solid insulated metal panel faced with reconstituted stone slats within mid silver grey coloured frames.
- BN19 Gable-end stone slat glazing. Reconstituted stone slats within mid silver grey coloured frames set in front of glazing BN17.



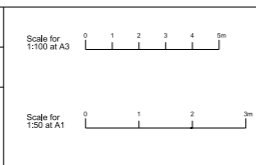
**MATERIALS DESCRIPTION - THE BULLNOSE**

- BN01 Ground floor retail glazing. Full-height double glazing with mid silver grey coloured frames, split at signage wall level, with doors where indicated.
- BN02 Ground floor stone overpanels. Reconstituted stone/precast concrete panels below expressed beam and above glazing, with reveal lining underneath.
- BN03 Entrance signage. Painted fabricated steel walls with integrated retail and office entrance signage to reference the language of the existing station heritage signs. Black painted steel with gold coloured integrated lettering.
- BN04 Expressed structural columns. Reconstituted stone/precast concrete.
- BN05 Expressed structural beams. Reconstituted stone/precast concrete.
- BN06 Solid bay cladding. Reconstituted stone panels with shadow gap joints at interface with columns and spigoting panels, with scribed horizontal line texture across surface. Panels set on precast concrete backing, with insulation behind.
- BN07 Glazed bay cladding. Full-height double glazing with mid silver grey coloured frames. First floor glazing with back-cast lead-level section.
- BN08 Floor level stone overpanels. Reconstituted stone/precast concrete solid panels in same plane as glazing, with shadow gaps to all edges to define floor levels.
- BN09 Top floor parapet wall. Reconstituted stone/precast concrete setback curved parapet wall, with dark metalwork set above to match ground floor signage walls.
- BN10 Top floor glazing. Full-height double glazing within mid silver grey coloured frames, with mid-grey coloured zinc solid panel to upper section.
- BN11 Green roof. Green roof system with metal edging and blue roof rainwater attenuation drainage system below. Roof build-up and growing medium to comply with CRO Design guidance recommendations and Building Regulations Approved Document for fire safety.
- BN12 Roof balustrade. Edge protection set back from roof edge.
- BN13 Rooftop plant enclosure and lift covers. Dark grey louvers to street-facing elevation and insulated precast concrete cladding to side flank walls.
- BN14 Gable-end solid cladding. Solid reconstituted stone/precast concrete panels with expressed joints and insulation behind, set within mid silver grey coloured frames.
- BN15 Gable-end top floor solid cladding. Solid mid silver grey zinc panels with expressed joints and insulation behind, set within mid silver grey coloured frames.
- BN16 Core solid walls. Insulated solid flank walls to lift and stair shafts with reconstituted stone cladding.
- BN17 Gable-end setback glazing. Full-height double glazing with mid silver grey coloured frames and integrated air brash/thermal louvers as required.
- BN18 Core end wall cladding. Solid insulated metal panel faced with reconstituted stone slats within mid silver grey coloured frames.



Revision	Date	Description
-	30-03-2020	Planning Issue
P1	04-01-2021	Updated Planning Issue

Drawing Purpose		
For Planning		
Drawn by	Checked by	Authorised by
RSHP	RSHP	RSHP



Project		Drawing Title		Drawing Number	
South Kensington Station		Proposed Detailed Bay The Bullnose Station-Facing Facade		RSHP-A-04011-D-XX	
Contract		Scale @ A1		Scale @ A3	
Rogers Stirk Harbour + Partners		1:50		1:100	
The Leadenhall Building 122 Leadenhall Street London EC3V 4AB		tel: 020 7385 1235 fax: 020 7385 8409 email: 111-460@rshp-6.com www.rshp.com		Drawing Date	
		30-03-2020		Revision Date	
		04-01-2021		Revision	
				P1	

Drawing Purpose		
For Planning		
Drawn by	Checked by	Authorised by
RSHP	RSHP	RSHP

Project		Drawing Title		Drawing Number	
South Kensington Station		Proposed Detailed Bay The Bullnose Station-Facing Facade		RSHP-A-04011-D-XX	
Contract		Scale @ A1		Scale @ A3	
Rogers Stirk Harbour + Partners		1:50		1:100	
The Leadenhall Building 122 Leadenhall Street London EC3V 4AB		tel: 020 7385 1235 fax: 020 7385 8409 email: 111-460@rshp-6.com www.rshp.com		Drawing Date	
		30-03-2020		Revision Date	
		06-08-2021		Revision	
				P2	

